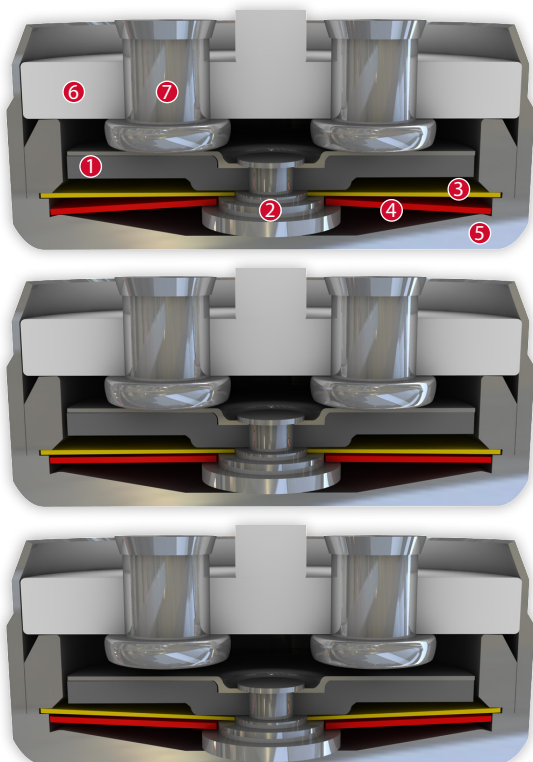


DATASHEET

Thermal Protector CH6

Type series H6



Construction and function

Switchgear consisting of a mobile and circular contact bridge (1), a contact bearing pin (2), a spring snap-in disc (3) and a bimetallic disc (4) which is riveted into one another, undetachable and fixed in a positive lock and self-aligning between a non-conductive floor of a housing (5) and an insulating ceramic bearing (6) with two integrated stationary contacts (7). At the same time, the switchgear is supported by the spring snap-in disc (3) with the contact bridge (1) acting as a transfer element for electric current which is held between a supporting collar and a circumferential ring. As such, the bimetallic disc (4) underlying it, that is also stuck out from the contact bearing pin (2), can continuously work (exposed) by mechanical loads without the contact pressure defined by the spring snap-in disc (3) diminishing. As soon as the bimetallic disc (4) reaches its rated switching temperature, it effectively springs against the throw force of the spring snap-in disc (3) into its inverted position. The contacts are abruptly opened. The temperature will now fall. The bimetallic disc (4) will only snap back upon reaching a defined spring back temperature and the contacts are abruptly closed again. As a result of the dimensioning of the contact bearing pin (2), an easy, circular rotation of the circle-shaped contact bridge is enabled with every switch so that transfer resistances remain constantly below the minimum limit after many switch cycles and the long term stability is sustained even under high levels of stress.

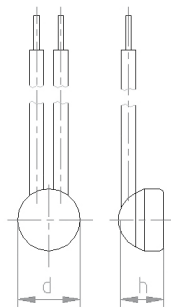


Features:

High performance	maximal switching current 42 A AC / 60 A DC
Quick response sensitivity	featured by small protector mass and the brass-housing
Excellent long term performance	due to instantaneous switching, fine-silver contacts, constant contact resistance and to electrically as well as mechanically unstressed bimetallic disc, reproducible switching temperature values
Very short bouncing times	< 1 ms
Instantaneous switching	with always constant contact pressure up to the nominal switching point, resulting in low contact stress

CH6

Type: Normally closed; resets automatically; with connector cables; with epoxy; without insulation



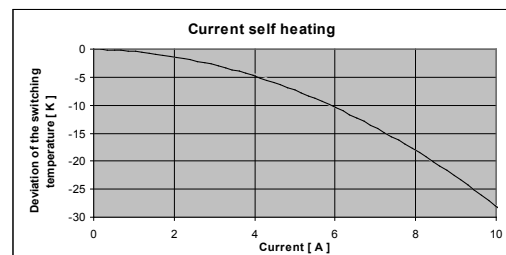
Installation height h from 6,8 mm
Diameter d 9,0 mm

Nominal switching temperature (NST) in 5 °C increments	60 °C - 200 °C	
Tolerance NST ≤ 140 °C	±5 K	
Tolerance NST > 140 °C	±10 K	
Reverse switch temperature (RST) below NST (defined RST is possible at the customer's request)	UL	≥ 35 °C
	VDE	≥ 35 °C
Installation height	from 6,8 mm	
Diameter	9,0 mm	
Resistance to impregnation *	suitable	
Suitable for installation in protection class	I	
Pressure resistance to the switch housing *	600 N	
Standard connection	Lead wire 1,0 mm ² / AWG18	
Available approvals (please state)	IEC; VDE; UL; CQC; CMJ	
Operating voltage range AC/DC	up until 500 V AC / 28 V DC	
Rated voltage AC	250 V (VDE) 277 V (UL)	
Rated current AC cos φ = 1.0/cycles	13,5 A / 10.000	
Rated current AC cos φ = 0.6/cycles	9,0 A / 10.000	
Max. switching current AC cos φ = 1.0/cycles	35,0 A* / 2.000 42,0 A / 300	
Rated voltage DC	24 V	
Max. switching current DC/cycles	60,0 A / 10.000	
Total bounce time	< 1 ms	
Contact resistance (according to MIL-STD. R5757)	≤ 50 mΩ	
Vibration resistance at 10 ... 60 Hz	100 m/s ²	

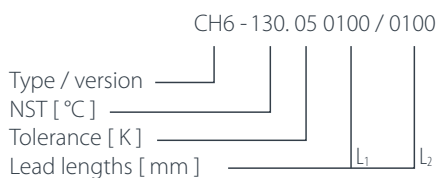
Current sensitivity characteristic at I_{nom}:

dependent of...

- Thermal coupling
- Application area
- Built-in conditions
- Outer influences
- Wiring length / wiring diameter



Ordering example:



Marking example:



More varieties of the type series H6:
• SH6 – with epoxy; insulation: Mylar®-Nomex®

www.thermik.de/data/SH6

*In accordance with the Thermik test. - Specifications relating to part applications (on the part of the buyer) which deviate from our standards are not checked for their capacity to support an application and/or conformity with standards; the responsibility for testing the suitability of Thermik products for such applications falls upon the user. - Slight deviations are possible in terms of dimensions/ values, depending on the embodiment of the product. - We reserve the right to make technical changes in the course of further development. - Details concerning certain data, measurement methods, applications, approvals, etc. can be supplied upon request.