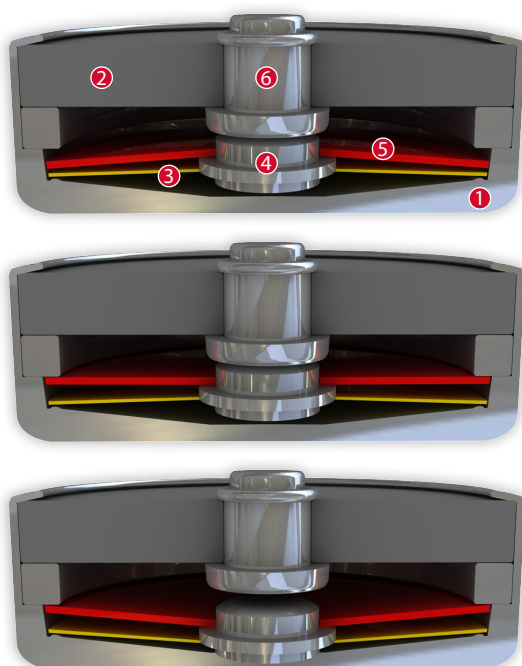


DATASHEET

Thermal Protector CP1

Type series P1



Construction and function

The switchgear of type series P1 is fixed in a positive lock and is self-aligning between the floor of a conductive housing (1) and a PTC cap made from barium titanate (2) which sticks out from a stationary silver contact (6). At the same time, the spring snap-in disc (3) which forms the current transfer element bears the movable contact (4) and discharges the flow of current and self-heating from the bimetallic disc (5). The bimetallic disc (5) is held on the movable contact (4) which sticks out through this without having to be welded or fixed. When the rated switching temperature is reached, the bimetallic disc (5) snaps into its inverted position and pushes the spring snap-in disc (3) downwards. The contact is abruptly opened and the temperature rise of the device to be protected is disrupted. The PTC resistance (2) connected in parallel now sustains the operating voltage and deploys a defined electrical heating output on the bimetallic disc (5) regardless of the ambient temperature and permanently sustains it above its springback temperature so that the switch gear cannot reset. The contact remains open. The Thermal protectors can only cool down again and switch to the original closed state when the external operating voltage is no longer applied and/or disconnection from the mains.



Features:

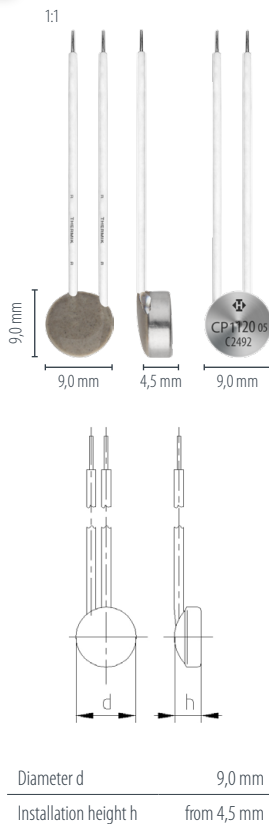
Very compact and flat design	
Quick response sensitivity	featured by the metal housing and small protector mass
Excellent long term performance	due to fine silver contacts. Reproducible switching temperature values due to tempered, electrically and mechanically unstressed bimetallic disc and by use of temperature resistant materials
Instantaneous switching	with always constant contact pressure up to the nominal switching point, resulting in low contact stress
Very short bounce times	< 1 ms
Self regulating PTC- heating resistor	enables rated switching temperatures up to 180 °C, due to a very small overshooting of the temperature effected by RH

Technical Data Type CP1

The listed products are an extract from our standard range. Other versions and customised manufacturing are available upon request.

CP1

Type: Normally closed; does not reset automatically; voltage applied; with connector cables; without insulation



Nominal switching temperature (NST) in 5 °C increments	60°C - 180°C
Tolerance (standard)	±5K
Reverse switch temperature (RST) below NST (defined RST is possible at the customer's request)	UL ≥ 35 °C VDE ≥ 35 °C
Installation height	from 4,5 mm
Diameter	9,0 mm
Resistance to impregnation *	suitable
Suitable for installation in protection class	I
Standard connection	Lead wire 0,25 mm ² / AWG22
Available approvals (please state)	IEC; VDE; UL; CSA; CQC
Operating voltage range AC	from 100 V to 250 V
Rated voltage AC	250V (VDE) 277V (UL)
Rated current AC cos φ = 1.0/cycles	2,5 A / 1.000
Rated current AC cos φ = 0.6/cycles	1,6 A / 1.000
Max. switching current AC cos φ = 1.0/cycles	10,0 A / 1.000
Max. switching current AC cos φ = 0.6/cycles	6,3 A / 1.000
Total bounce time	< 1 ms
Contact resistance (according to MIL-STD. R5757)	≤ 50 mΩ
Vibration resistance at 10 ... 60 Hz	100 m/s ²

Ordering example:

CP1 - 125. 05 0100 / 0100

Type / version _____

NST [°C] _____

Tolerance [K] _____

Lead lengths [mm] _____ L₁ L₂

Marking example:



Trade mark _____ **thermik**

Type / version _____ **CP1**

NST [°C] . Tolerance [K] — **125.05**

More varieties of the type series P1:

- P1 – voltage applied; without insulation; for clip contact; minimum batch size
- CP1 Pin – voltage applied; with connection pins; without insulation
- SP1 – voltage applied; with connector cables; insulation: Mylar®-Nomex®
- SP1 600 – voltage applied; with connector cables; insulation: Mylar®-Nomex®
- KP1 – with connector cables; insulation: Mylar®-Nomex®
- CPK – with connector cables; with a K1 model; without insulation
- SPK – with connector cables; with a K1 model; insulation: Mylar®-Nomex®

www.thermik.de/data/P1

www.thermik.de/data/CP1-Pin

www.thermik.de/data/SP1

www.thermik.de/data/SP1-600

www.thermik.de/data/KP1

www.thermik.de/data/CPK

www.thermik.de/data/SPK

*In accordance with the Thermik test. Specifications relating to part applications (on the part of the buyer) which deviate from our standards, are not checked for their capacity to support an application and/or conformity with standards. The responsibility for testing the suitability of Thermik products for such applications, also upon the user. Slight deviations are possible in terms of dimensions, values, depending on the embodiment of the product. We reserve the right to make technical changes in the course of further development. Details concerning certain data, measurement methods, applications, approvals, etc. can be supplied upon request.