



3A-PF2



3A-CF2

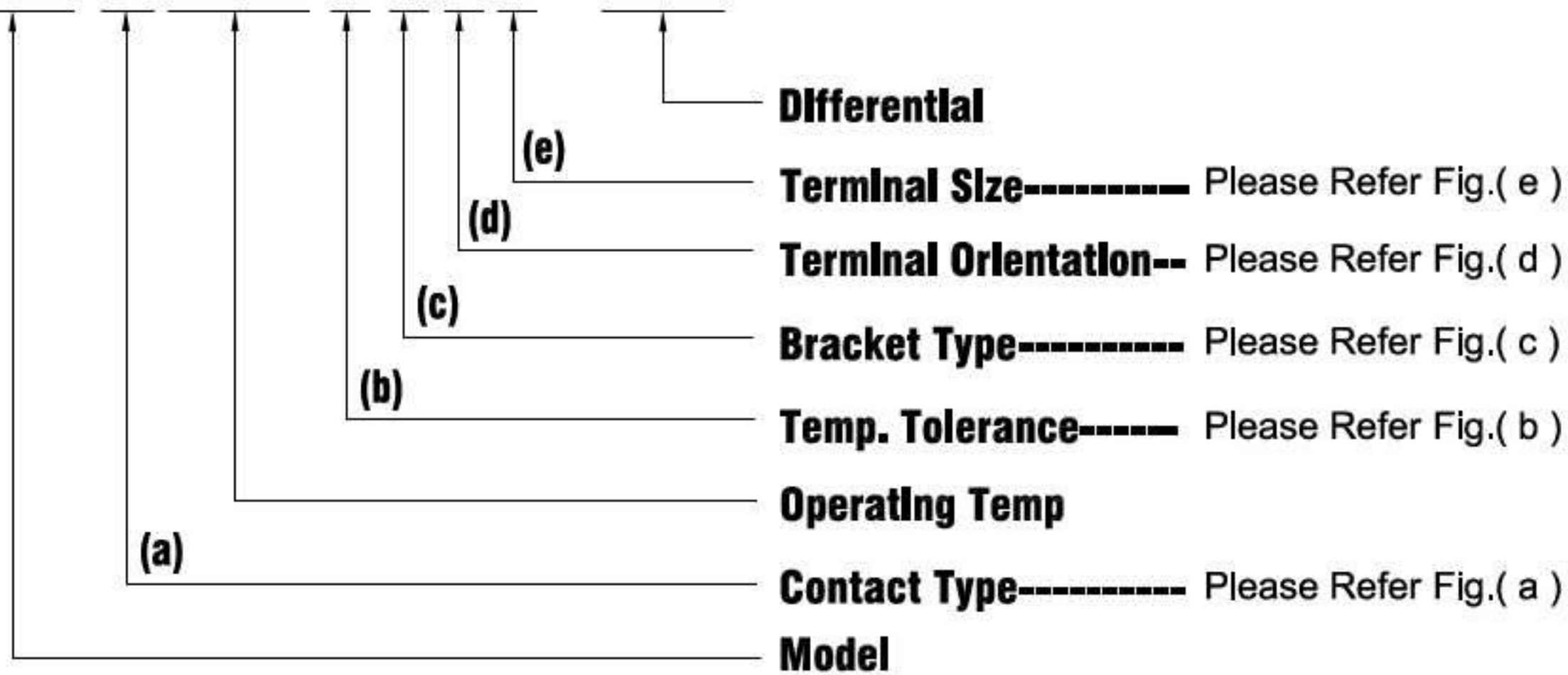
SPECIFICATION

- Electrical Rating : 15A 125V AC (Resistive Load)
10A 250V AC (Resistive Load)
16A 250V AC (Resistive Load)
- Operating Temp : 50 ~ 175°C (UL.CUL 205°C)
- Differential : 10~30K (15K Standard)
- Temp. Tolerance : Operating Temp.±3K±5K
- Heat Durability : 220°C Max. (PPS)
- Circuit Resistance : 50mΩ Max.
- Insulation Resistance : 100MΩ Min.at DC500V
- Dielectric Strength : AC 1000V for One Minute.
or AC 1800V for One Second.
- Operating Life : 100000 Cycles (15A 125V/10A 250V AC)
10000 Cycles (16A 250V AC)
- Weight:4.6g max.

HOW TO ORDER

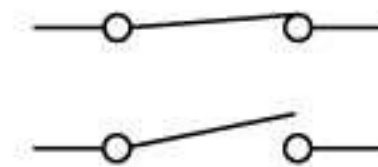
MODEL CODE (FULL CODE)

T23 A110BCF2-15



(a) CONTACT TYPE :

- A = Contact Opens When Temperature Rises to Set Point (Normally Closed)
- B = Contact Closes When Temperature Rises to Set Point (Normally Open)
- M = Manual Reset



(b) TEMP. TOLERANCE : (*=STANDARD)

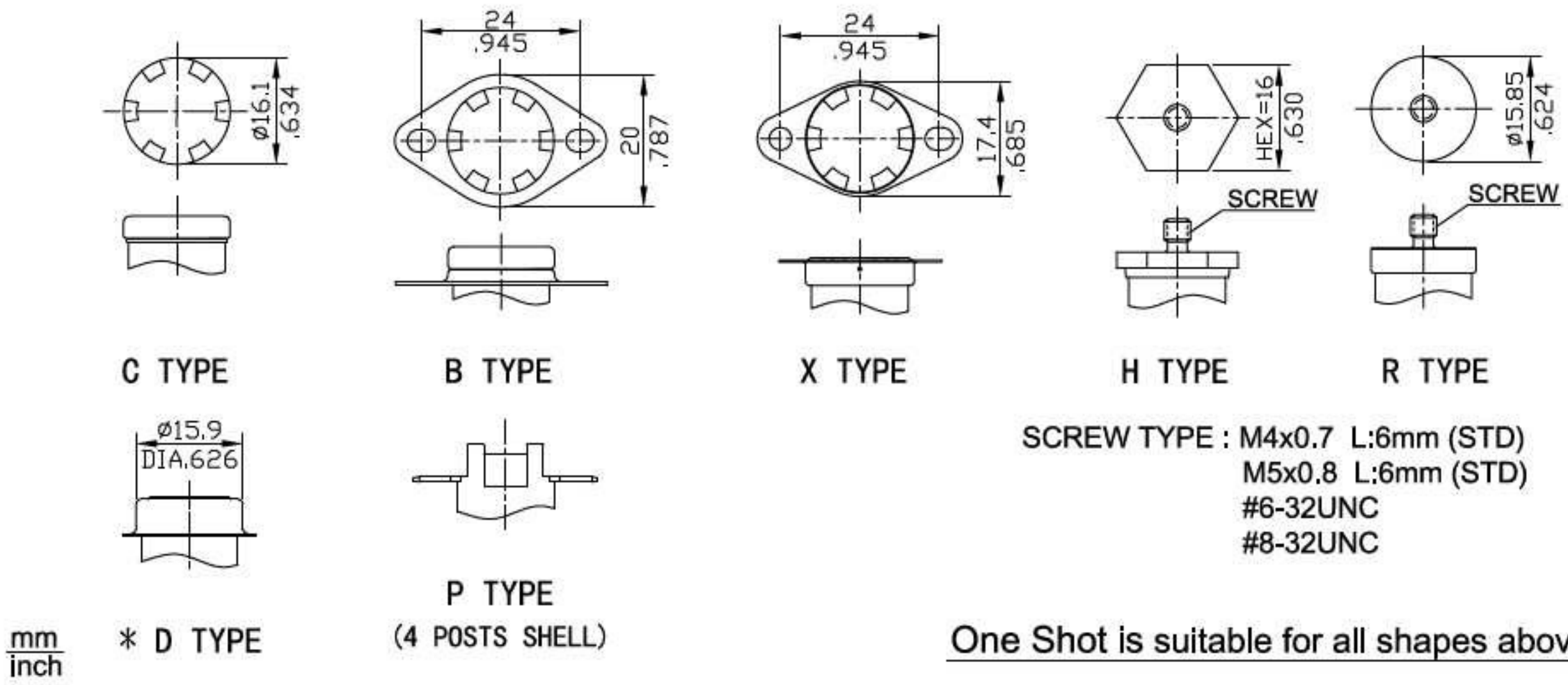
Grade	A	*B
Action ± °C	3	5
Reset ± °C	4	8

- The Grade of Temp. Tolerance is "A", When The Operating Temp. is Less Than 105°C.
- The Grade of Temp. Tolerance is "B", When The Operating Temp. is Over 106°C.

(c) BRACKET TYPE :

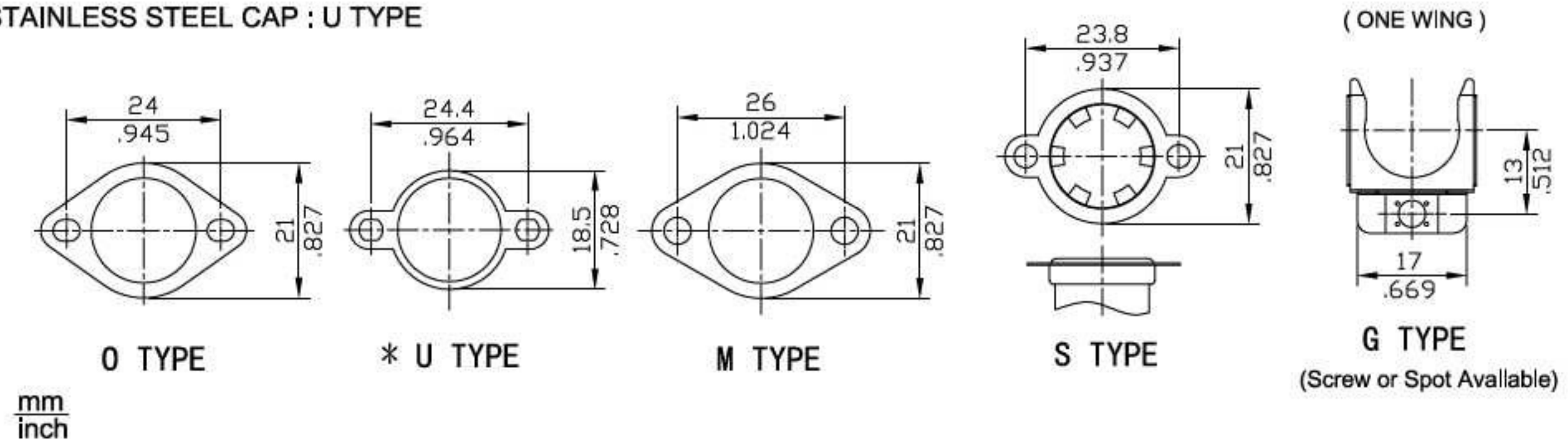
• **FIXED BRACKET**

* STAINLESS STEEL CAP : D TYPE

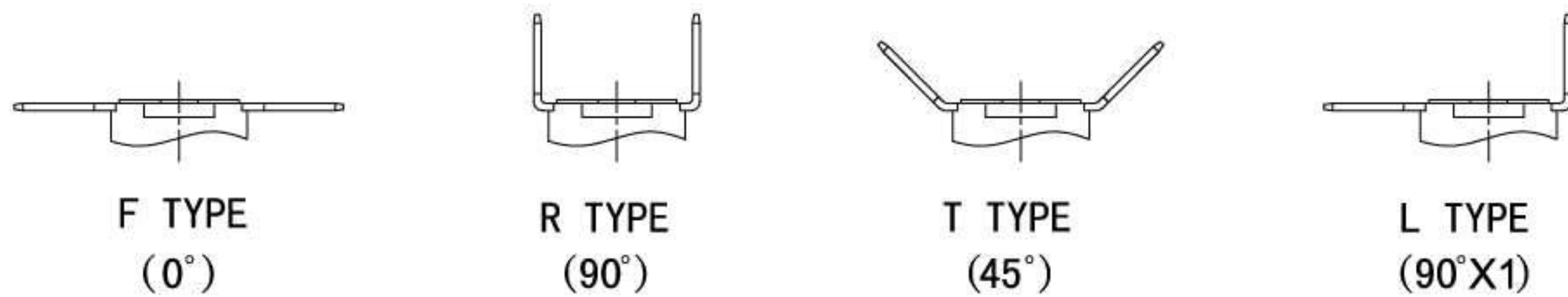


• **LOOSE BRACKET**

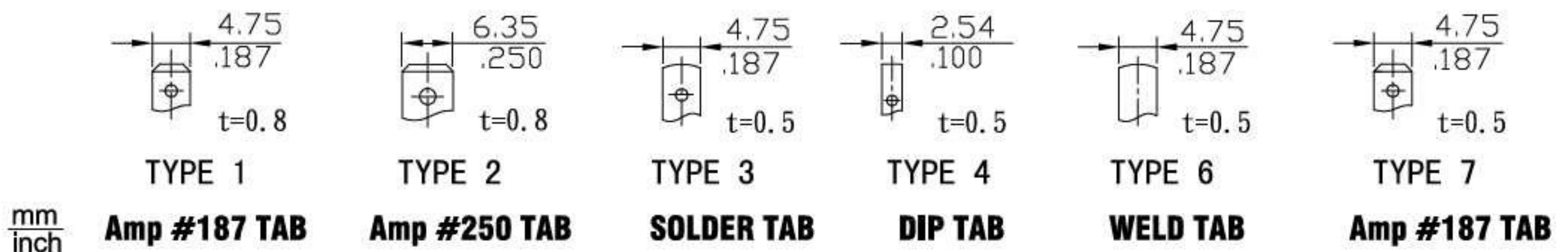
* STAINLESS STEEL CAP : U TYPE



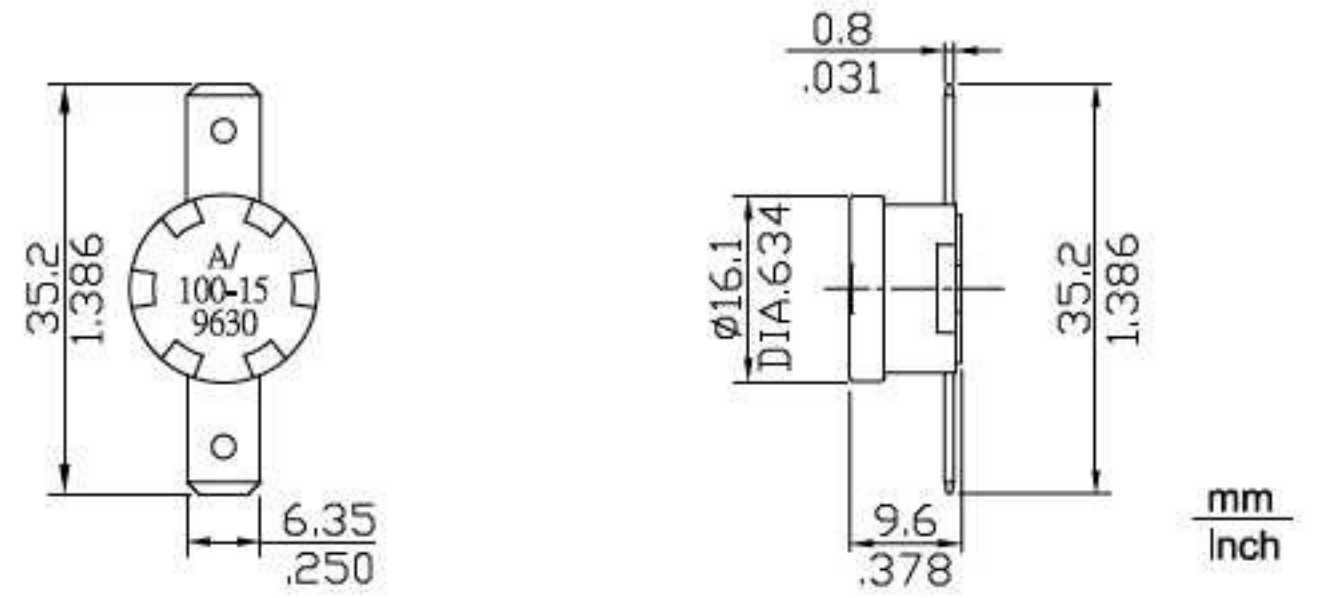
(d) TERMINAL ORIENTATION:



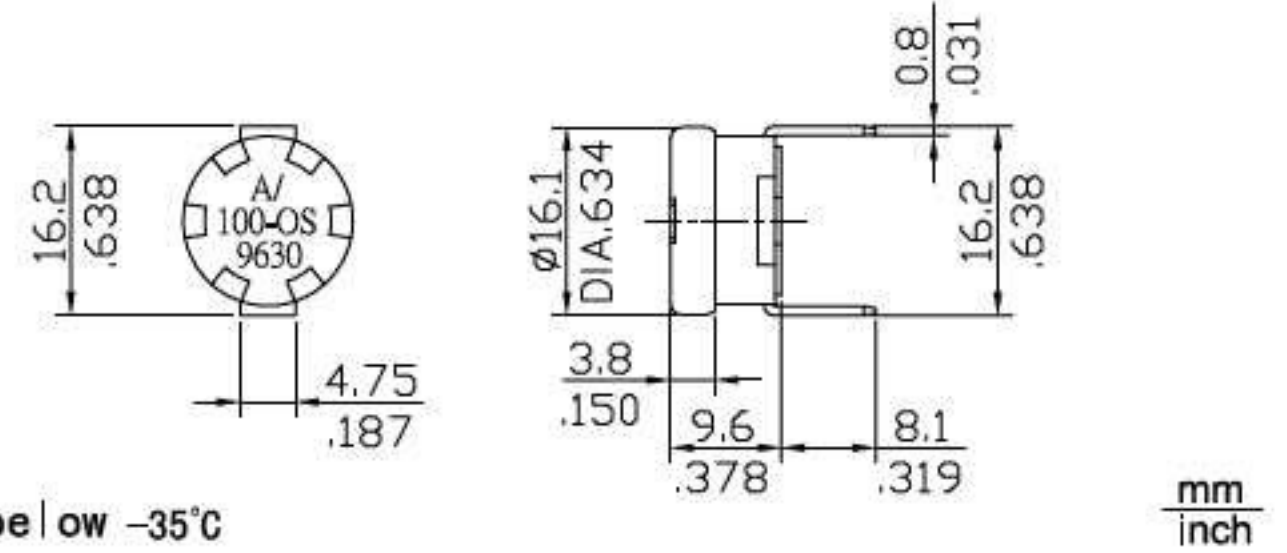
(e) TERMINAL SIZE:



3A-CF2

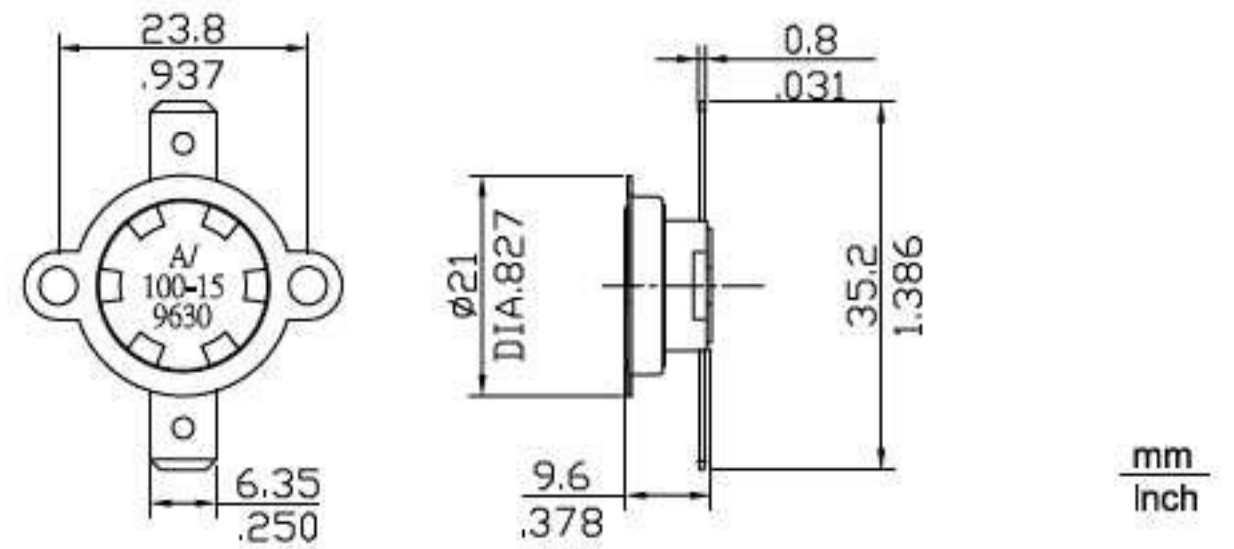


3A-CR1-OS(ONE SHOT)

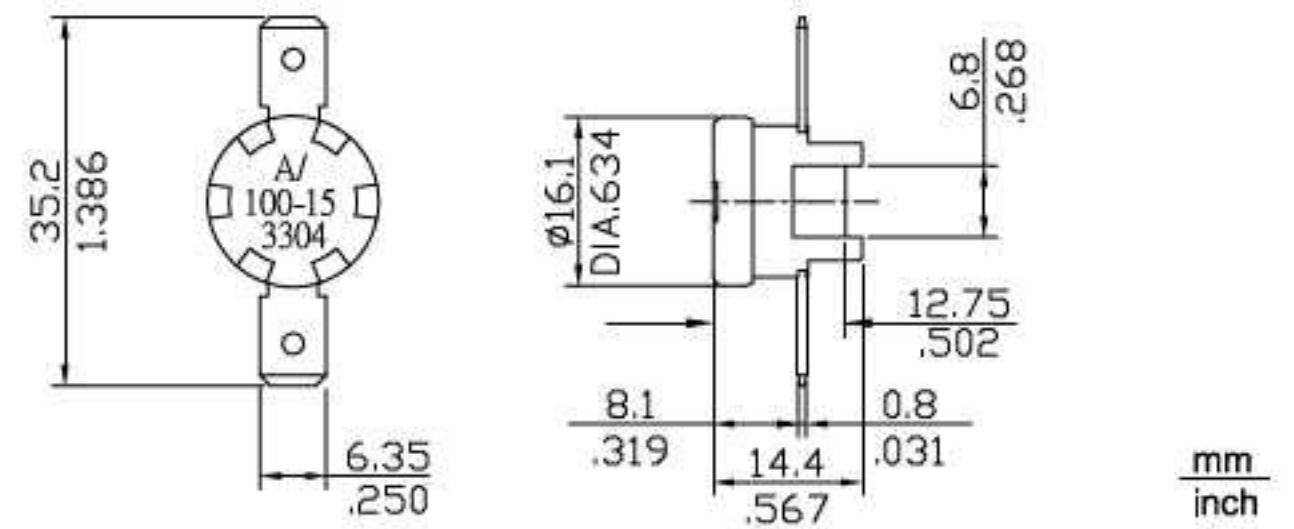


Reset below -35°C

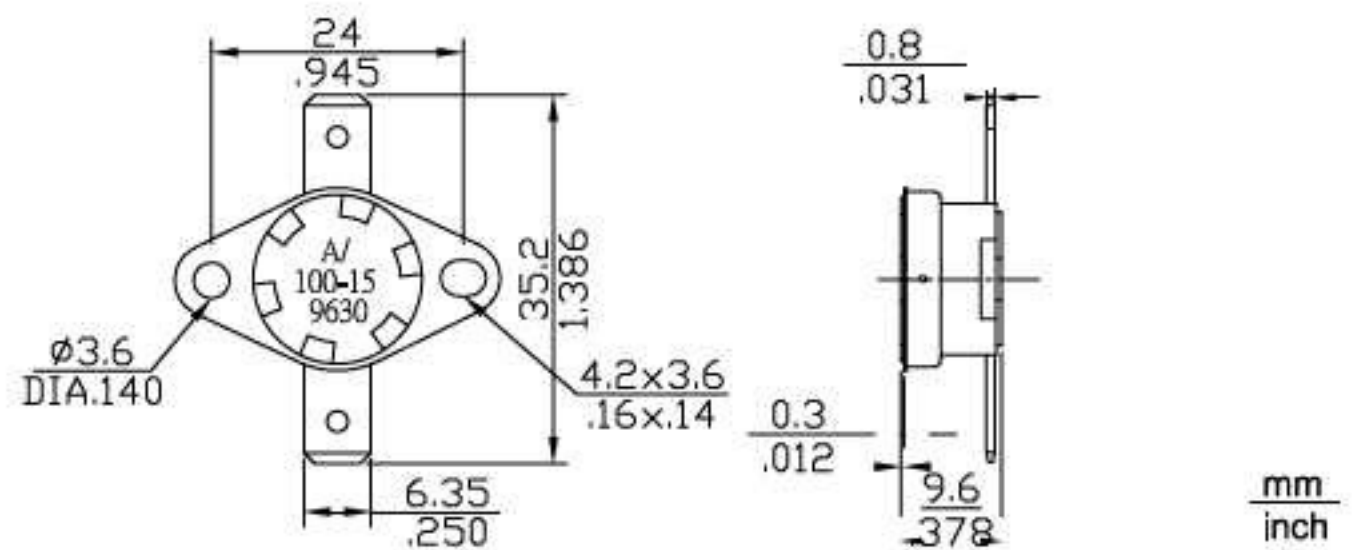
3A-SF2(LOOSE BRACKET)



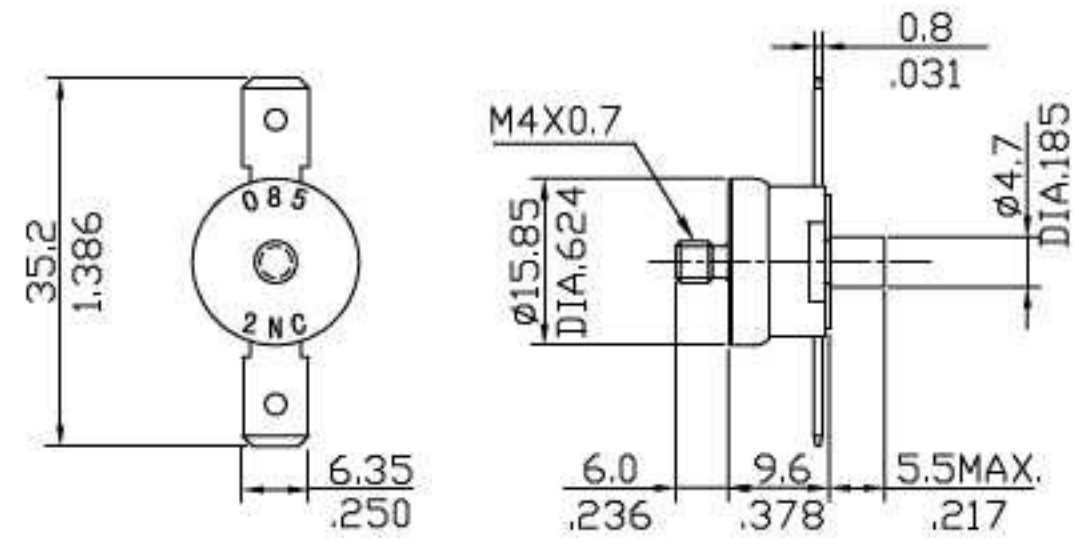
3A-PF2(4-POST)



3A-XF2(FIX BRACKET)

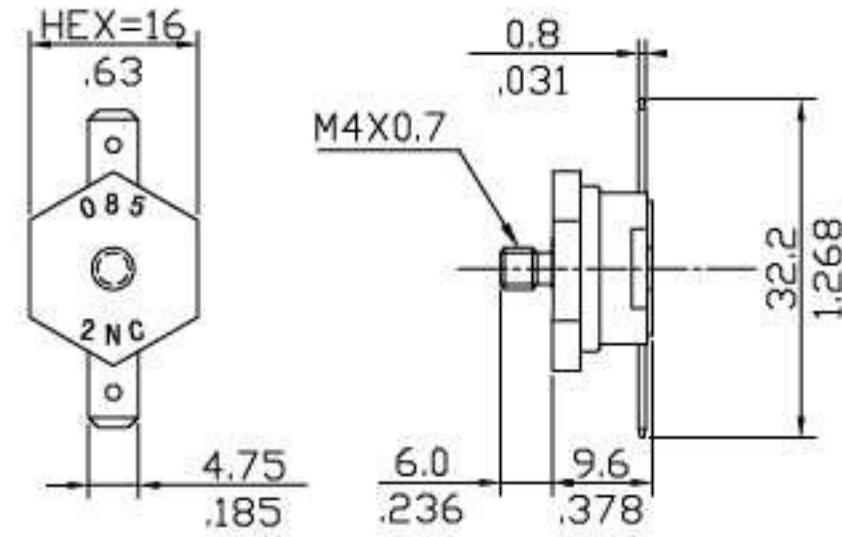


3M-RF2



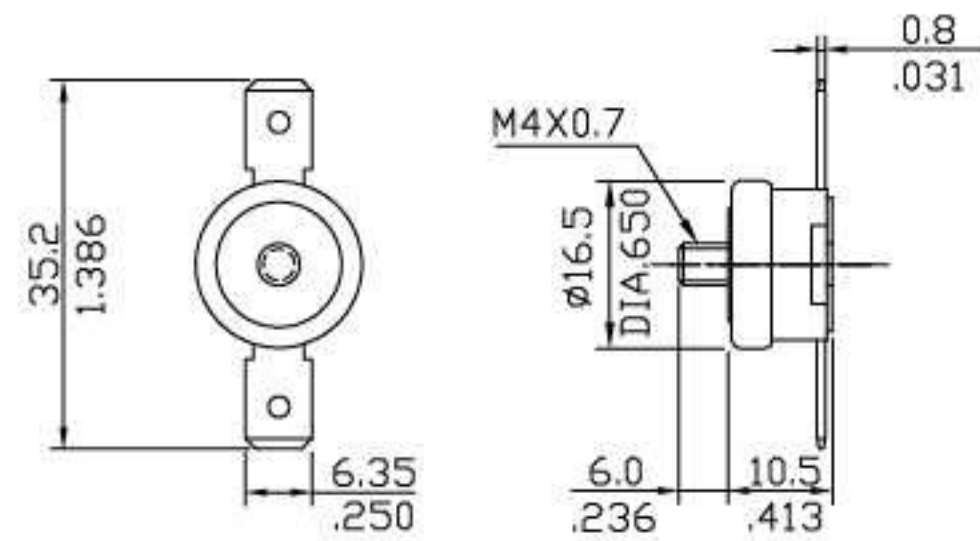
mm
inch

3A-HF1



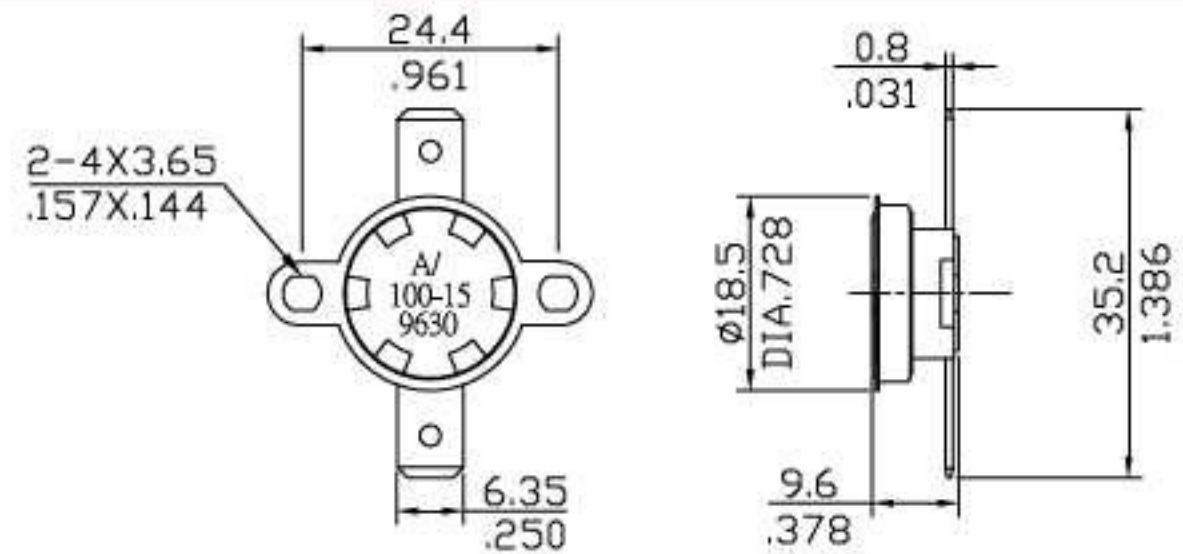
mm
inch

3A-RF2-A



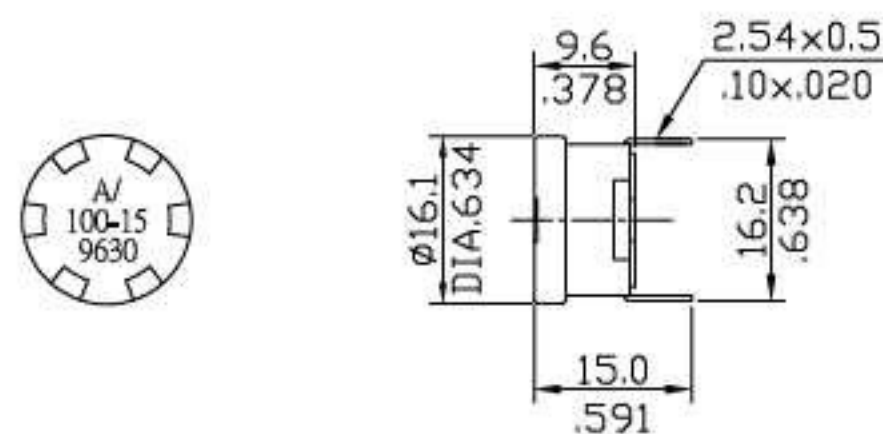
mm
inch

3A-SF2-U



mm
inch

3A-CR4



mm
inch

(FOR PCB)